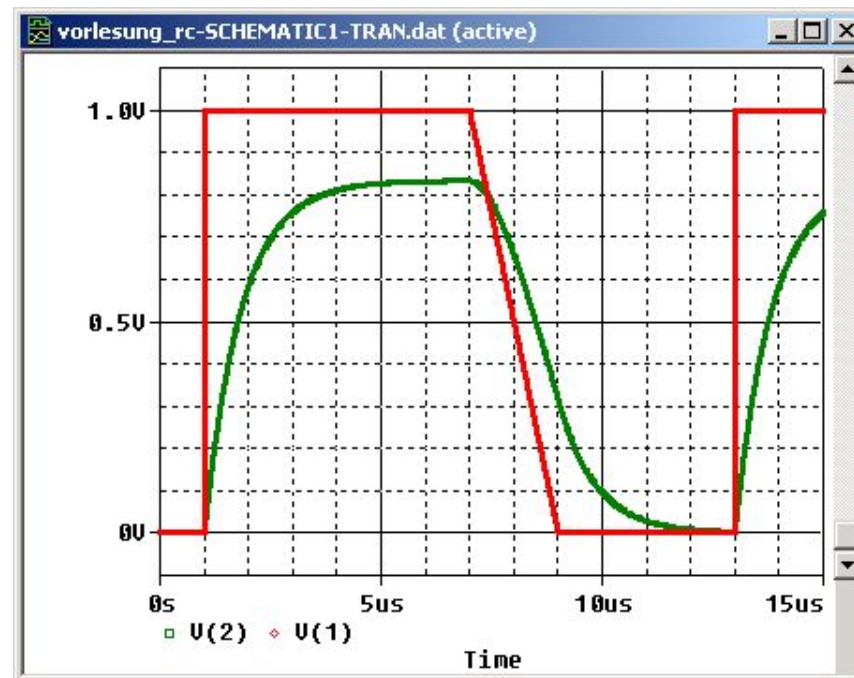




Analogue Simulation



Prof. Dr. P. Fischer

Lehrstuhl für Schaltungstechnik und Simulation
Uni Heidelberg



Simulators

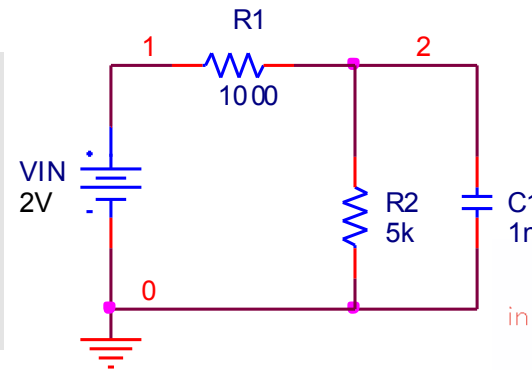
- There are many programs around to simulate analogue circuits. One of the first (1968, UC Berkeley, IBM) was SPICE
 - Simulation Program with IC Emphasis
- All simulators use a text file ('netlist') to describe the circuit
 - Main elements are **components** which connect **nodes**

Component (Name/Type) <nodes> <parameters>

- The syntax varies (slightly)

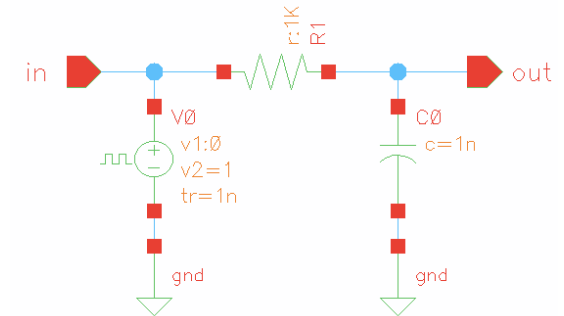
PSPICE
on PC

```
* Netlist Demo
VIN 1 0 DC 2
R1 1 2 1000
R2 2 0 5K
C1 2 0 1N
```



Cadence

```
// Library name: CCS2013
// Cell name: LowPass
// View name: schematic
R1 (out in) resistor r=1K
C0 (out 0) capacitor c=1n
V0 (in 0) vsource mag=1 type=pulse val0=0 val1=1 period=1u delay=0 rise=1n \
    fall=1n width=200n
```





Models

- The behavior of the components is described by 'models'
 - These are rather trivial for capacitors, resistors (they can contain temperature dependence, for instance)
 - They can be VERY complicated for transistors...
- Models are (should be) provided by the manufacturer of the components (Op-Amps, transistors..)
 - We will use models of the chip technology UMC 180 nm
- The significance of a simulation result depends on the quality of the models!
 - Do not trust your result too much!
 - Agreement (simulation vs. reality) to within 10% is very good!
 - Make sure your circuit is robust and does not rely on perfect agreement to simulation!



Elements of Simulation (in the netlist)

- **The netlist contains**
 - the circuit components
 - a ground node (with net name '0')
 - voltage / current sources to supply the circuit
 - pulse generators to 'stimulate' the circuit

- **Common errors:**
 - No supply voltage (in active circuits)
 - Current in circuit is zero ('operation point' is wrong)
 - No ground node defined (voltages are 'strange')
 - No input stimulus (source may be there, but its parameter not set, see later)
 - Component values are completely off (Ampère instead of μA)
 - Typos in parameters ('10 us s')



COMPONENTS



Passive Components (in analogLib)

■ Resistors

- Very simple. Can add model. Can add temperature dependence. Can generate noise during simulation

■ Capacitors

- Can define an 'initial' condition, i.e. its voltage when simulation starts

The screenshot shows the 'Edit Object Properties' dialog box for a capacitor. The 'Apply To' dropdown is set to 'only current' and 'instance'. The 'Show' checkboxes for 'system', 'user', and 'CDF' are all checked. The 'Reset Instance Labels Display' button is visible. The 'Property' table is as follows:

Property	Value	Display
Library Name	analogLib	off
Cell Name	cap	off
View Name	symbol	off
Instance Name	C0	off

Below the 'Property' table are 'Add', 'Delete', and 'Modify' buttons. The 'CDF Parameter' table is as follows:

CDF Parameter	Value	Display
Model name		off
Capacitance	1n F	off
Width		off
Length		off
Multiplier		off
Scale factor		off
Temp rise from ambient		off
Initial condition		off

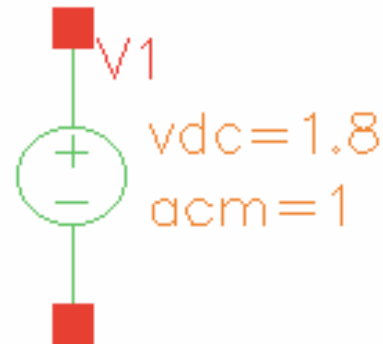
The 'Initial condition' row in the CDF Parameter table is circled in orange.



(Independent) Sources

▪ DC voltage source vdc

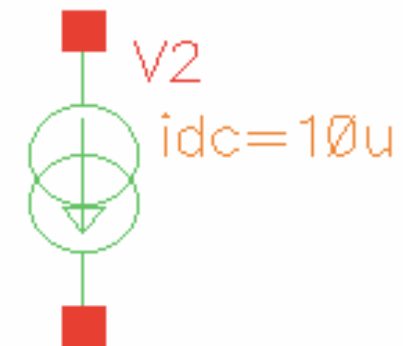
- ideal source ($R_0 = 0$)
- Must SET voltage
- (Can also add AC)



CDF Parameter	
Noise file name	<input type="text"/>
Number of noise/freq pairs	0
DC voltage	1.8 V
AC magnitude	1 V

▪ DC current source idc

- ideal
- Must SET current
- Second pin provides $-I_0$
Not really needed (best short to ground)
- (Can also add AC)





Global Nets (analogLib → Sources → Globals)

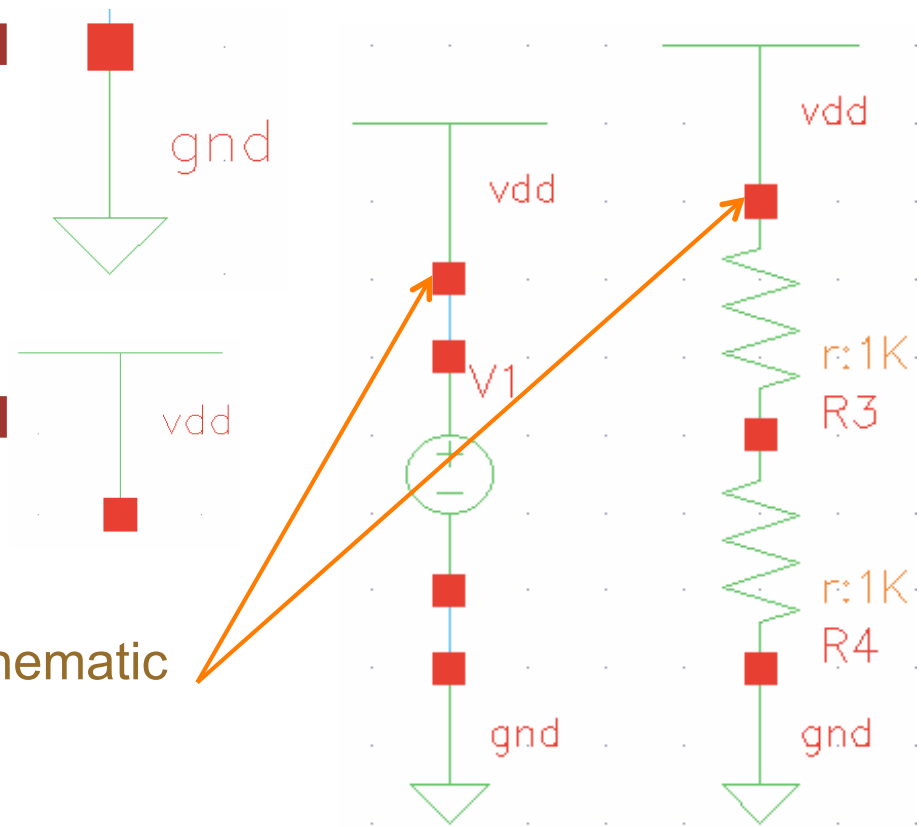
- There are special symbols which connect the pin to some 'global' net.
 - Global nets end with '!' in Cadence (e.g. gnd!, VDD!)

- Most important: cell gnd**

- Connects the pin to net gnd! (= net 0)

- Others, for instance vdd**

- The upper nets in the schematic are connected!

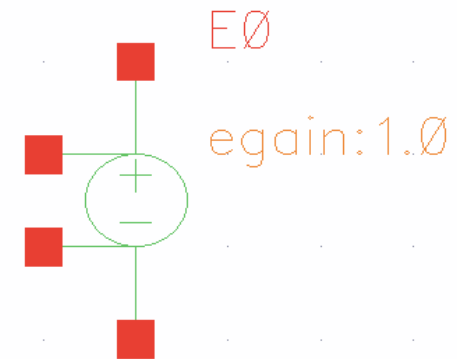




(Dependent) Sources

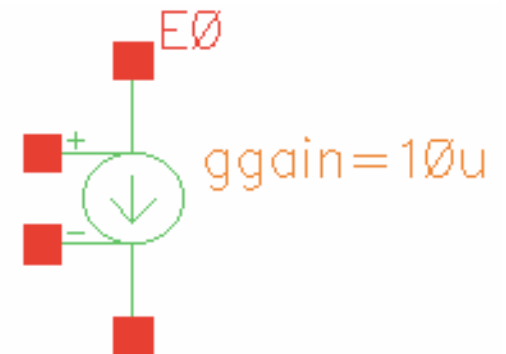
- There are voltage / current sources which can be controlled by a voltage (or current)
- These are very useful in simulation to simplify stuff
- Example1: Voltage Controlled Voltage Source VCVS

- $V_{out} = \text{gain} * V_{in}$
- Gain has no dimension (volt / volt)
- This is an (ideal) voltage amplifier



- Example2: Voltage Controlled Current Source VCCS

- This is an idealized model of a transistor!
- Gain is in Ampère / Volt (i.e. Siemens) ('ggain' in Mhos in Cadence)





'Active' (independent) Sources

- There are sources which act as signal generators (in 'tran' simulations, see later):
 - Vpulse generates rectangular signals
 - Vsin generates sine waves
 - Vpwl generates piece-wise-linear signals

- These have several parameters that must be set.
 - Check out!

- They ALSO have DC and AC components for simple simulations



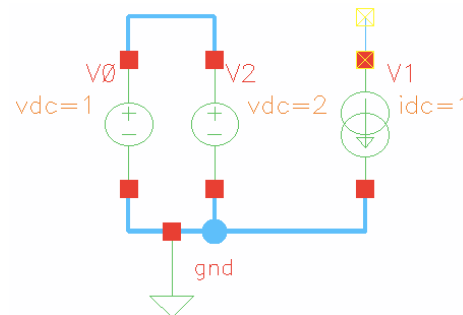
SIMULATION TYPES



.OP analysis

- This is a **static** analysis, i.e. **time plays no role**
 - Imagine you 'switch on the circuit' and observe the steady state
 - All capacitors are removed from the circuit
 - Inductors are reduced to their ohmic resistance
- All nonlinearities (diodes, MOS,..) are considered
 - It is a 'large signal analysis'
- An iterative procedure is used to find a stable steady state
 - Initial conditions (of capacitors or from the simulation window) are taken into account
- .OP is done 'automatically' before other simulations start

- .OP can fail
 - Shorted voltage sources
 - Open current sources





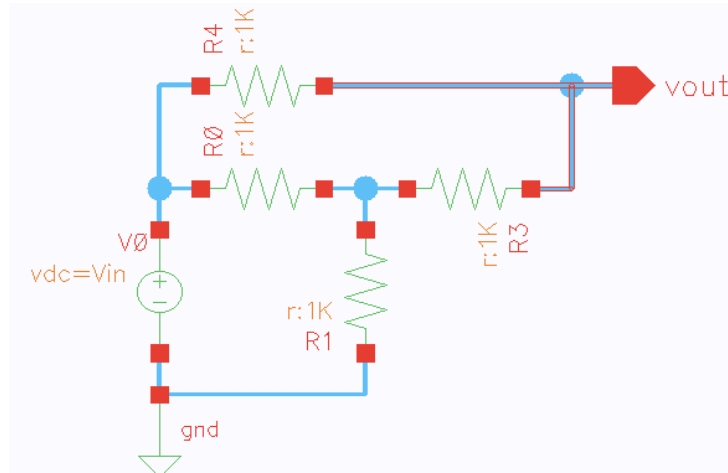
DC Analysis

- This is just a series of .OP analysis
- One parameter is changed in each analysis
 - voltages
 - temperature
 - component values (design variables)
- It uses the 'DC voltage' and 'DC current' of sources
- Used mainly to determine the operation point of a circuit

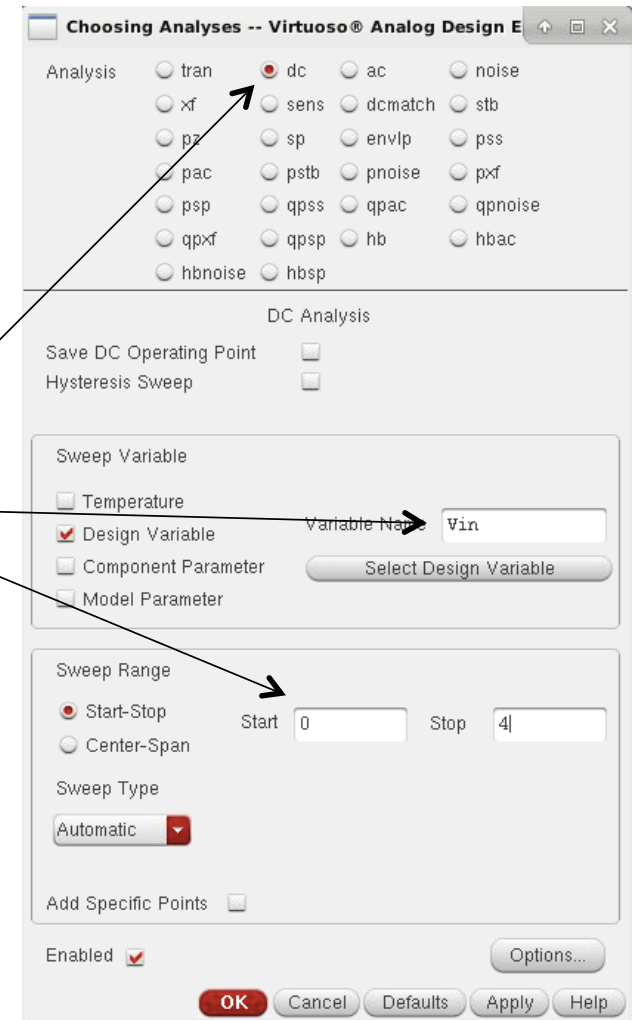
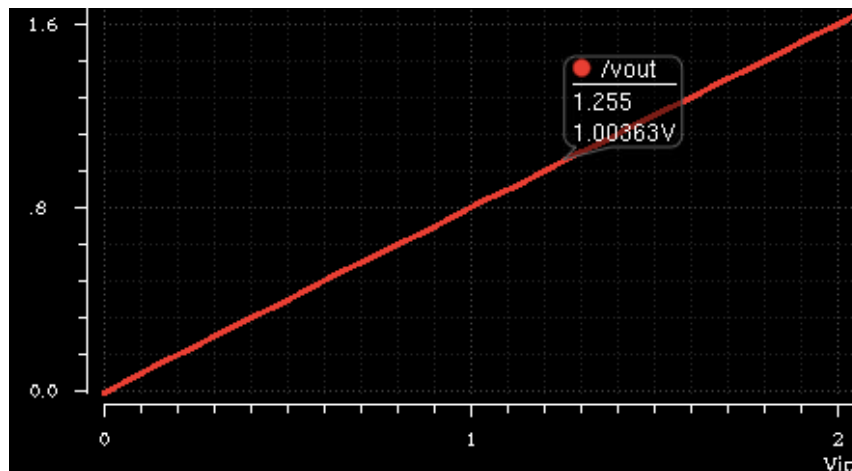


DC Analysis: Example 1

- Which voltage V_{in} is required in this circuit to get $v_{out}=1V$?



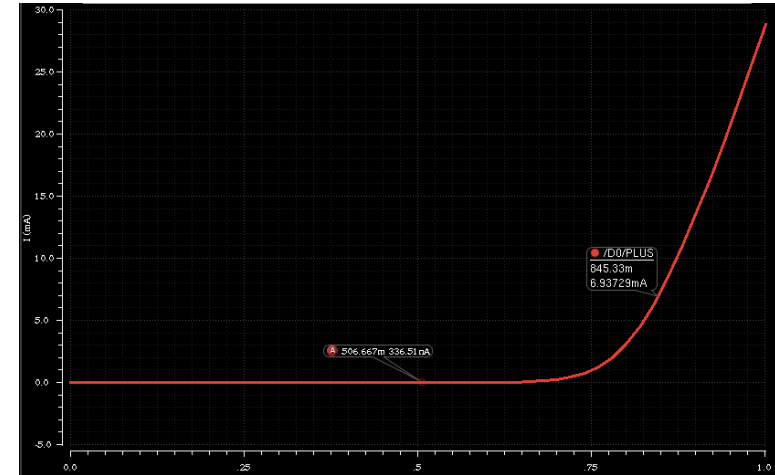
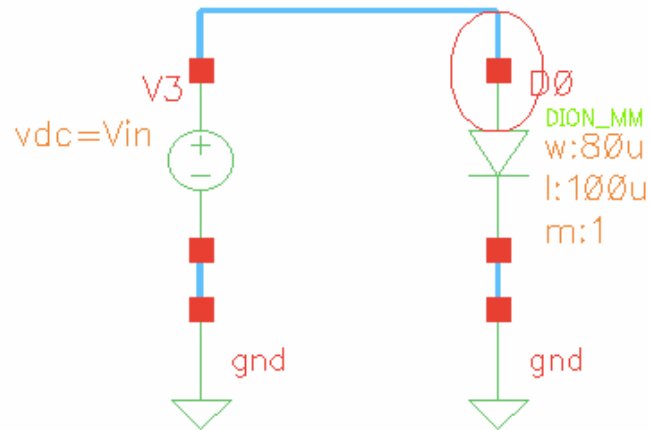
- Perform a DC sweep of V_{in} :





DC Analysis: Example 2

- How does the current in a diode depend on its voltage?



- How does the diode current at 0.8V depend on temperature?

Sweep Variable

Temperature

Design Variable

Component Paramete.

Model Parameter

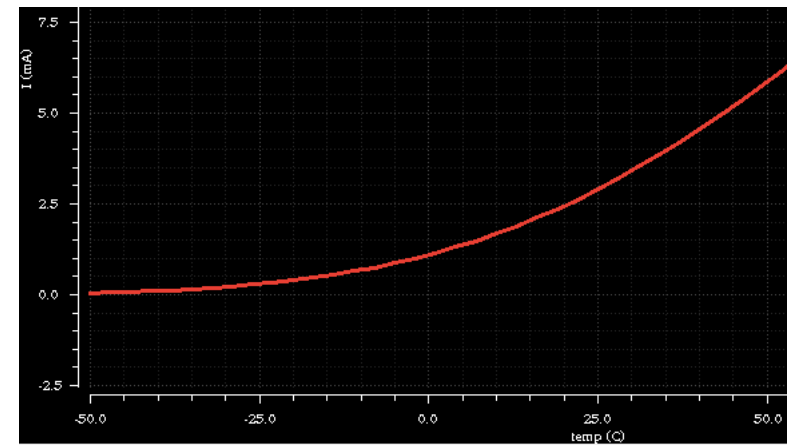
Design Variables

Name	Value
1 Vin	800m

Sweep Range

Start-Stop Start Stop

Center-Span





Transient Analysis

- Large signal analysis (all nonlinearities are considered)
- Generates voltages/currents as a function of time
 - Like an oscilloscope trace...
 - All caps / inductors are considered (including voltage dependencies...)
 - Most complicated (slowest) analysis

- Changes in circuit are updated in small time steps
 - Modern programs adapt the time steps to the activity in the circuit
 - NOTE: very fast signals require very fine time steps -> simulation becomes slow.
 - DO NOT make signals (outputs of vpulse) faster than needed

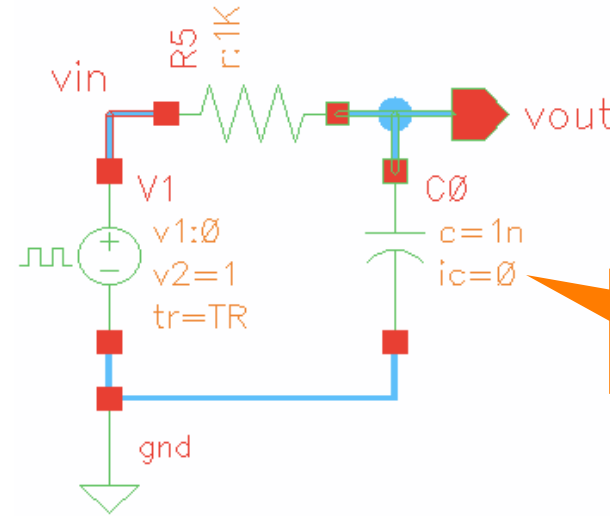
- Operation point is determined by a preceding .OP analysis



Transient Analysis: Example

- How does a low pass react to a triangular input ?

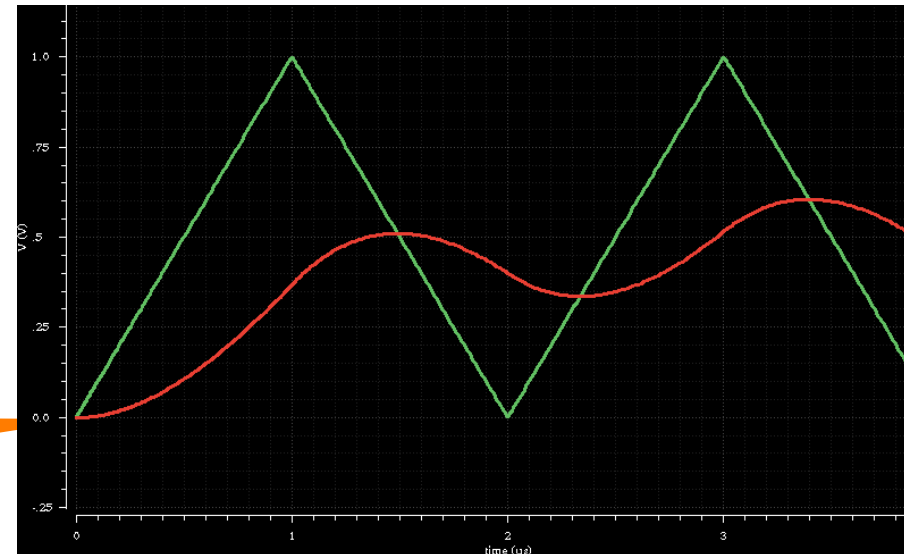
Voltage 1	0 V
Voltage 2	1 V
Period	2*TR s
Delay time	0 s
Rise time	TR s
Fall time	TR s
Pulse width	0 s



Note initial condition

- $\tau_{LP} = 1\mu s$
- For $TR=TF=1\mu s$:

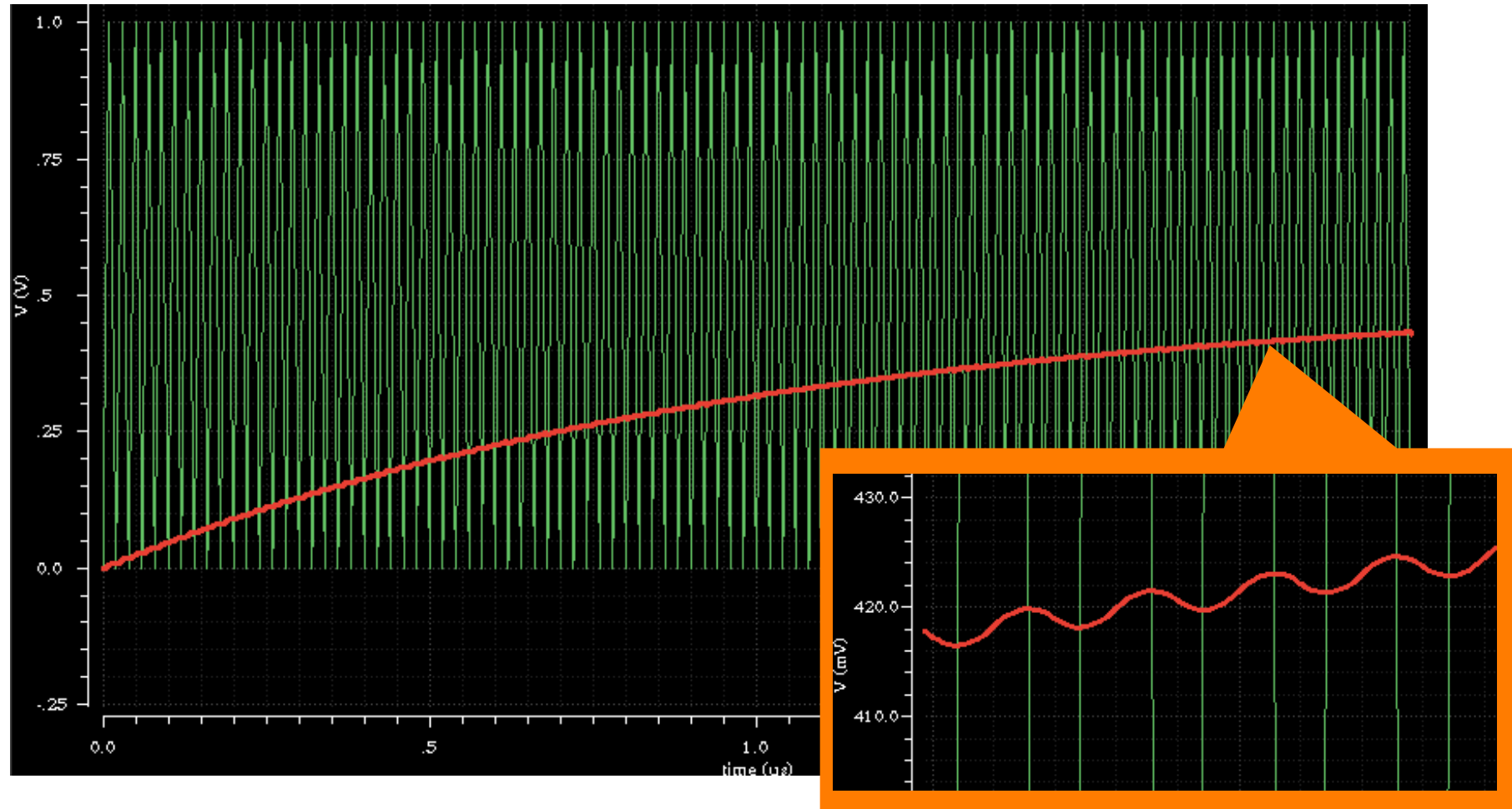
Note initial condition





Transient Simulation: Example

- The same at high input frequency (TR = TF = 10ns):



- Do you understand what happens?



AC Analysis

- This analysis works in the frequency domain
 - It assumes ALL components linear
1. First the operation point is determined
 - How much current flows in a diode
 - What is the voltage at each node,...
 2. R,C,L of all components at this operation point is determined
 - C of a capacitor can depend on voltage
 - internal resistance of a diode depends on current,...
 3. ONLY these values are kept, i.e. the circuit is **linearized**
 4. The transfer functions (to all nodes) are **calculated**
- AC Magnitude and Phase are used in sources
 - It make no difference weather you use 1 V or 1 mV, best use 1 V!



AC Analysis: Example

